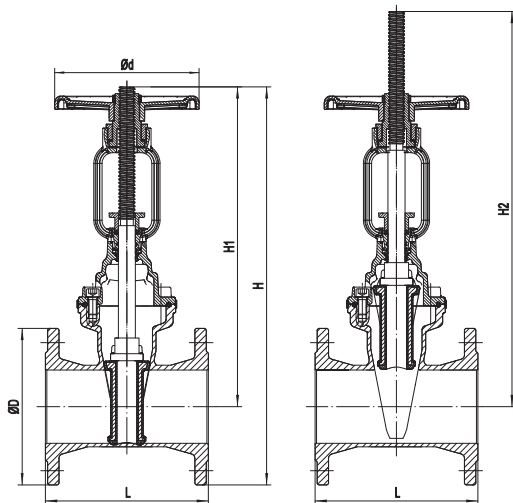


BS5163 Resilient seated OS&Y gate valve-flange end

| Name of parts | Material |
|---------------|-------------------------------------|
| Body | Ductile iron |
| Wedge | Ductile iron+EPDM |
| Stem nut | Bronze |
| Stem | SS431 or SS304, SS316, bronze |
| Bonnet | Ductile iron |
| Bonnet Gasket | EPDM |
| Sealing Ring | EPDM |
| Yoke | Ductile iron |
| Sliding disc | Bronze |
| Screw | Carbon steel with hot galvanization |
| O-rings | EPDM |
| Handwheel | Ductile iron |



Technical data >

- Sizes: DN50~DN300
- Working pressure: PN16/PN25
- Valve standard: BS5163
- Flange standard: EN1092-2
- Temperature range: 0 ~ 80 C

| Dimensions | | Pressure rating | Size (mm) | | | | | | | | | | | | | | | | | | | | | | | | | | | | | | | | | | | | | | | | | | | | | | | | | | | | | | | | | | | | | | | | | | | | | | | | | | | | | | | | | | | | | | | | | | | | | | | | | | |
|------------|------|-----------------|-----------|-----|--------|-------|--------|-----|-----|-----|----|-----|-----|--------|-------|--------|-----|----|-----|-----|-------|-----|-----|-----|-------|-----|--------|------|--------|-----|-----|-----|-----|-------|-----|-------|-----|-------|-----|--------|------|--------|-----|-----|-------|-----|-------|-----|-------|-----|-------|-----|--------|------|--------|-------|-----|-------|-----|-------|-----|-------|-----|-------|-----|--------|------|--------|-------|-----|-------|-----|------|-----|-------|-----|-------|------|--------|------|------|-------|-----|------|-----|------|-----|-------|------|--------|------|------|-----|-----|------|-----|------|----|-----|-----|--------|
| DN | inch | PN | ΦD | L | H1 | H2 | H | Φd | | | | | | | | | | | | | | | | | | | | | | | | | | | | | | | | | | | | | | | | | | | | | | | | | | | | | | | | | | | | | | | | | | | | | | | | | | | | | | | | | | | | | | | | | | | | | |
| 50 | 2 | 16 | 165 | 178 | 358.5 | 420.5 | 441 | 203 | | | | | | | | | | | | | | | | | | | | | | | | | | | | | | | | | | | | | | | | | | | | | | | | | | | | | | | | | | | | | | | | | | | | | | | | | | | | | | | | | | | | | | | | | | | | | |
| | | 25 | | 216 | | | | | 65 | 2.5 | 16 | 185 | 190 | 359.5 | 429.5 | 452 | 203 | 25 | 241 | 80 | 3 | 16 | 200 | 203 | 378 | 462 | 478 | 203 | 25 | 283 | 100 | 4 | 16 | 220 | 229 | 449.5 | 553 | 559.5 | 203 | 25 | 235 | 305 | 567 | 125 | 5 | 16 | 250 | 254 | 549.5 | 677 | 674.5 | 300 | 25 | 270 | 381 | 684.5 | 150 | 6 | 16 | 285 | 267 | 591.5 | 747 | 734 | 300 | 25 | 300 | 403 | 741.5 | 200 | 8 | 16 | 340 | 292 | 735.5 | 938 | 905.5 | 330 | 25 | 360 | 419 | 915.5 | 250 | 10 | 16 | 400 | 330 | 900.5 | 1161 | 1100.5 | 406 | 25 | 425 | 457 | 1113 | 300 | 12 | 16 | 455 | 356 | 1045.5 |
| 65 | 2.5 | 16 | 185 | 190 | 359.5 | 429.5 | 452 | 203 | | | | | | | | | | | | | | | | | | | | | | | | | | | | | | | | | | | | | | | | | | | | | | | | | | | | | | | | | | | | | | | | | | | | | | | | | | | | | | | | | | | | | | | | | | | | | |
| | | 25 | | 241 | | | | | 80 | 3 | 16 | 200 | 203 | 378 | 462 | 478 | 203 | 25 | 283 | 100 | 4 | 16 | 220 | 229 | 449.5 | 553 | 559.5 | 203 | 25 | 235 | 305 | 567 | 125 | 5 | 16 | 250 | 254 | 549.5 | 677 | 674.5 | 300 | 25 | 270 | 381 | 684.5 | 150 | 6 | 16 | 285 | 267 | 591.5 | 747 | 734 | 300 | 25 | 300 | 403 | 741.5 | 200 | 8 | 16 | 340 | 292 | 735.5 | 938 | 905.5 | 330 | 25 | 360 | 419 | 915.5 | 250 | 10 | 16 | 400 | 330 | 900.5 | 1161 | 1100.5 | 406 | 25 | 425 | 457 | 1113 | 300 | 12 | 16 | 455 | 356 | 1045.5 | 1353 | 1273 | 406 | 25 | 485 | 502 | 1288 | | | | |
| 80 | 3 | 16 | 200 | 203 | 378 | 462 | 478 | 203 | | | | | | | | | | | | | | | | | | | | | | | | | | | | | | | | | | | | | | | | | | | | | | | | | | | | | | | | | | | | | | | | | | | | | | | | | | | | | | | | | | | | | | | | | | | | | |
| | | 25 | | 283 | | | | | 100 | 4 | 16 | 220 | 229 | 449.5 | 553 | 559.5 | 203 | 25 | 235 | 305 | 567 | 125 | 5 | 16 | 250 | 254 | 549.5 | 677 | 674.5 | 300 | 25 | 270 | 381 | 684.5 | 150 | 6 | 16 | 285 | 267 | 591.5 | 747 | 734 | 300 | 25 | 300 | 403 | 741.5 | 200 | 8 | 16 | 340 | 292 | 735.5 | 938 | 905.5 | 330 | 25 | 360 | 419 | 915.5 | 250 | 10 | 16 | 400 | 330 | 900.5 | 1161 | 1100.5 | 406 | 25 | 425 | 457 | 1113 | 300 | 12 | 16 | 455 | 356 | 1045.5 | 1353 | 1273 | 406 | 25 | 485 | 502 | 1288 | | | | | | | | | | | | | | | |
| 100 | 4 | 16 | 220 | 229 | 449.5 | 553 | 559.5 | 203 | | | | | | | | | | | | | | | | | | | | | | | | | | | | | | | | | | | | | | | | | | | | | | | | | | | | | | | | | | | | | | | | | | | | | | | | | | | | | | | | | | | | | | | | | | | | | |
| | | 25 | 235 | 305 | | | 567 | | 125 | 5 | 16 | 250 | 254 | 549.5 | 677 | 674.5 | 300 | 25 | 270 | 381 | 684.5 | 150 | 6 | 16 | 285 | 267 | 591.5 | 747 | 734 | 300 | 25 | 300 | 403 | 741.5 | 200 | 8 | 16 | 340 | 292 | 735.5 | 938 | 905.5 | 330 | 25 | 360 | 419 | 915.5 | 250 | 10 | 16 | 400 | 330 | 900.5 | 1161 | 1100.5 | 406 | 25 | 425 | 457 | 1113 | 300 | 12 | 16 | 455 | 356 | 1045.5 | 1353 | 1273 | 406 | 25 | 485 | 502 | 1288 | | | | | | | | | | | | | | | | | | | | | | | | | | | | |
| 125 | 5 | 16 | 250 | 254 | 549.5 | 677 | 674.5 | 300 | | | | | | | | | | | | | | | | | | | | | | | | | | | | | | | | | | | | | | | | | | | | | | | | | | | | | | | | | | | | | | | | | | | | | | | | | | | | | | | | | | | | | | | | | | | | | |
| | | 25 | 270 | 381 | | | 684.5 | | 150 | 6 | 16 | 285 | 267 | 591.5 | 747 | 734 | 300 | 25 | 300 | 403 | 741.5 | 200 | 8 | 16 | 340 | 292 | 735.5 | 938 | 905.5 | 330 | 25 | 360 | 419 | 915.5 | 250 | 10 | 16 | 400 | 330 | 900.5 | 1161 | 1100.5 | 406 | 25 | 425 | 457 | 1113 | 300 | 12 | 16 | 455 | 356 | 1045.5 | 1353 | 1273 | 406 | 25 | 485 | 502 | 1288 | | | | | | | | | | | | | | | | | | | | | | | | | | | | | | | | | | | | | | | | | |
| 150 | 6 | 16 | 285 | 267 | 591.5 | 747 | 734 | 300 | | | | | | | | | | | | | | | | | | | | | | | | | | | | | | | | | | | | | | | | | | | | | | | | | | | | | | | | | | | | | | | | | | | | | | | | | | | | | | | | | | | | | | | | | | | | | |
| | | 25 | 300 | 403 | | | 741.5 | | 200 | 8 | 16 | 340 | 292 | 735.5 | 938 | 905.5 | 330 | 25 | 360 | 419 | 915.5 | 250 | 10 | 16 | 400 | 330 | 900.5 | 1161 | 1100.5 | 406 | 25 | 425 | 457 | 1113 | 300 | 12 | 16 | 455 | 356 | 1045.5 | 1353 | 1273 | 406 | 25 | 485 | 502 | 1288 | | | | | | | | | | | | | | | | | | | | | | | | | | | | | | | | | | | | | | | | | | | | | | | | | | | | | | |
| 200 | 8 | 16 | 340 | 292 | 735.5 | 938 | 905.5 | 330 | | | | | | | | | | | | | | | | | | | | | | | | | | | | | | | | | | | | | | | | | | | | | | | | | | | | | | | | | | | | | | | | | | | | | | | | | | | | | | | | | | | | | | | | | | | | | |
| | | 25 | 360 | 419 | | | 915.5 | | 250 | 10 | 16 | 400 | 330 | 900.5 | 1161 | 1100.5 | 406 | 25 | 425 | 457 | 1113 | 300 | 12 | 16 | 455 | 356 | 1045.5 | 1353 | 1273 | 406 | 25 | 485 | 502 | 1288 | | | | | | | | | | | | | | | | | | | | | | | | | | | | | | | | | | | | | | | | | | | | | | | | | | | | | | | | | | | | | | | | | | | |
| 250 | 10 | 16 | 400 | 330 | 900.5 | 1161 | 1100.5 | 406 | | | | | | | | | | | | | | | | | | | | | | | | | | | | | | | | | | | | | | | | | | | | | | | | | | | | | | | | | | | | | | | | | | | | | | | | | | | | | | | | | | | | | | | | | | | | | |
| | | 25 | 425 | 457 | | | 1113 | | 300 | 12 | 16 | 455 | 356 | 1045.5 | 1353 | 1273 | 406 | 25 | 485 | 502 | 1288 | | | | | | | | | | | | | | | | | | | | | | | | | | | | | | | | | | | | | | | | | | | | | | | | | | | | | | | | | | | | | | | | | | | | | | | | | | | | | | | | |
| 300 | 12 | 16 | 455 | 356 | 1045.5 | 1353 | 1273 | 406 | | | | | | | | | | | | | | | | | | | | | | | | | | | | | | | | | | | | | | | | | | | | | | | | | | | | | | | | | | | | | | | | | | | | | | | | | | | | | | | | | | | | | | | | | | | | | |
| | | 25 | 485 | 502 | | | 1288 | | | | | | | | | | | | | | | | | | | | | | | | | | | | | | | | | | | | | | | | | | | | | | | | | | | | | | | | | | | | | | | | | | | | | | | | | | | | | | | | | | | | | | | | | | | | | | |